



Powerway Renewable Energy Co.,Ltd

Add:No.11 , Area D , Leping Industrial Park ,

Sanshui , Foshan , Guangdong , China

Tel:(86)757 87662935

E-mail:info@pvpowerway.com

Web:www.pvpowerway.com



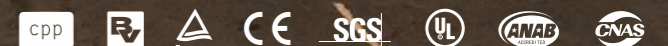
WWW.PVPOWERWAY.COM

# Powerway Mounting System

2021



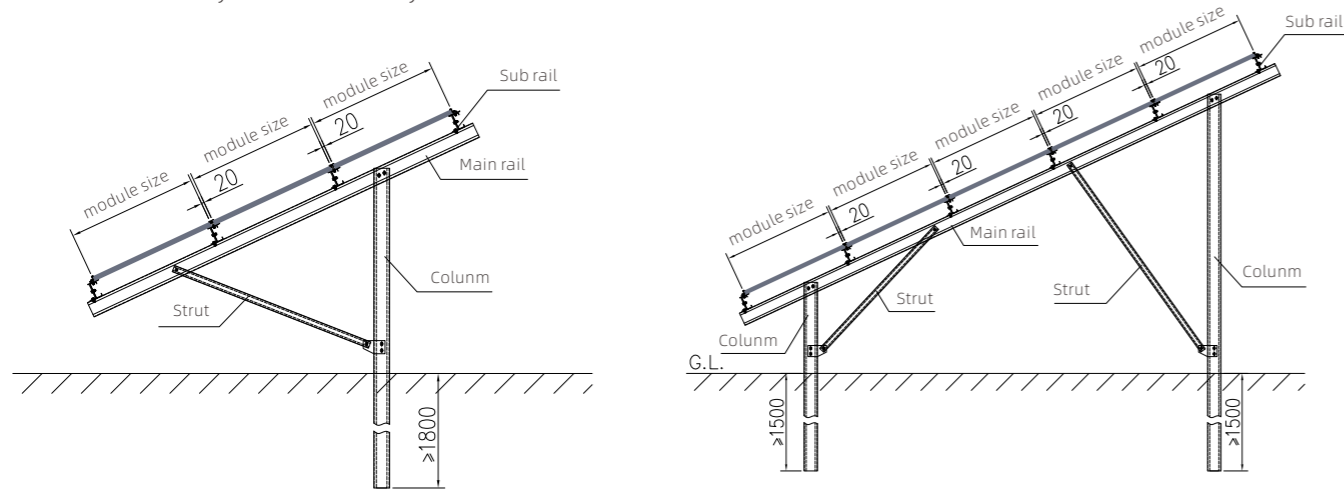
- Significant **cost saving**
- Flexible adaptability
- Applicable for **different foundations**
- Highly pre-assembled
- **Consistent** quality



WWW.PVPOWERWAY.COM

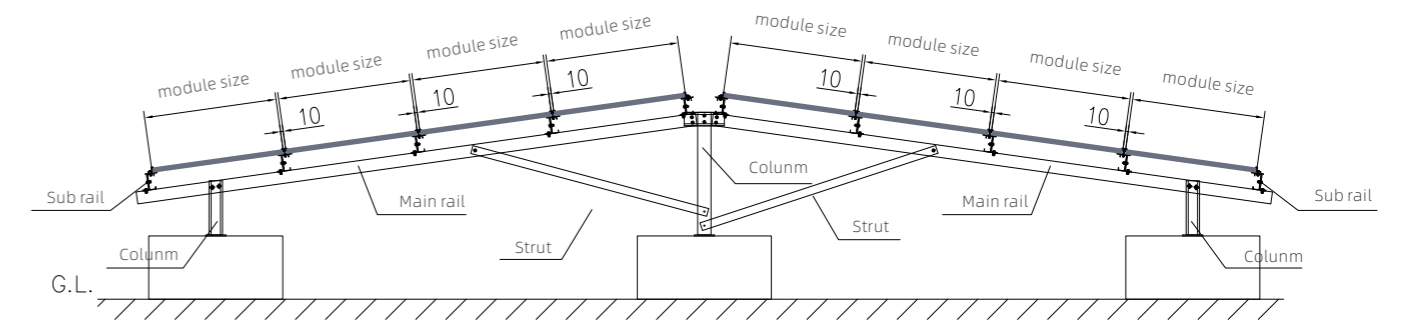
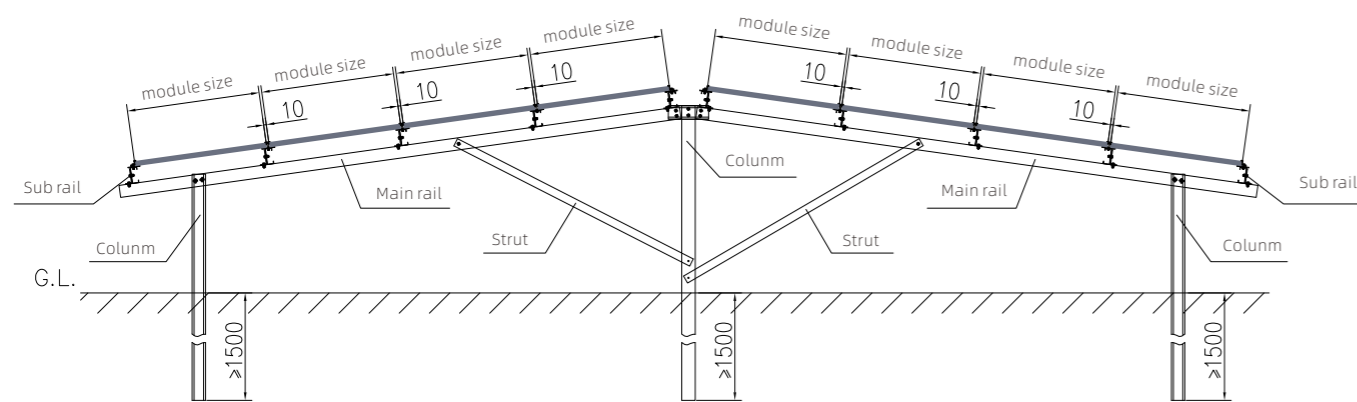
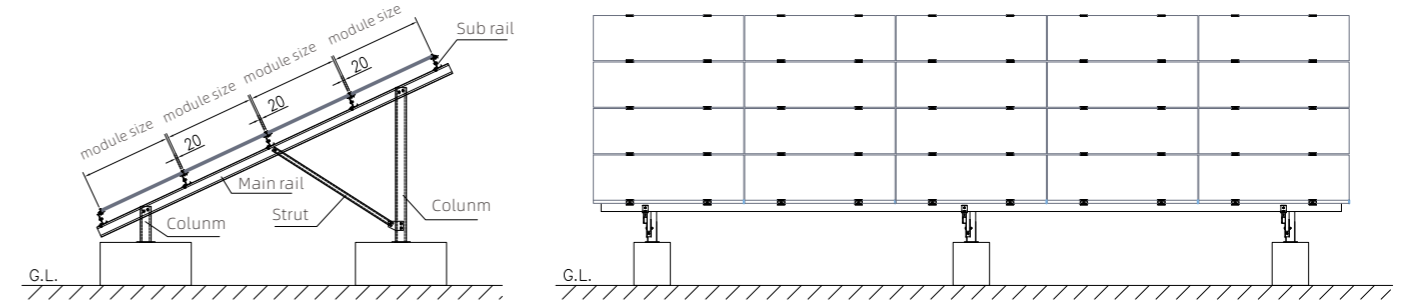
■ DuraPower Mounting System

Powerway Durapower all-steel series products, cost advantages are obvious. It adopts hot-dip galvanized surface treatment, which has excellent anti-corrosion performance, ensuring that the bracket system can be used for a long time in harsh outdoor environments. Professional structural design and optimization improve the stability and installation efficiency of the bracket system.



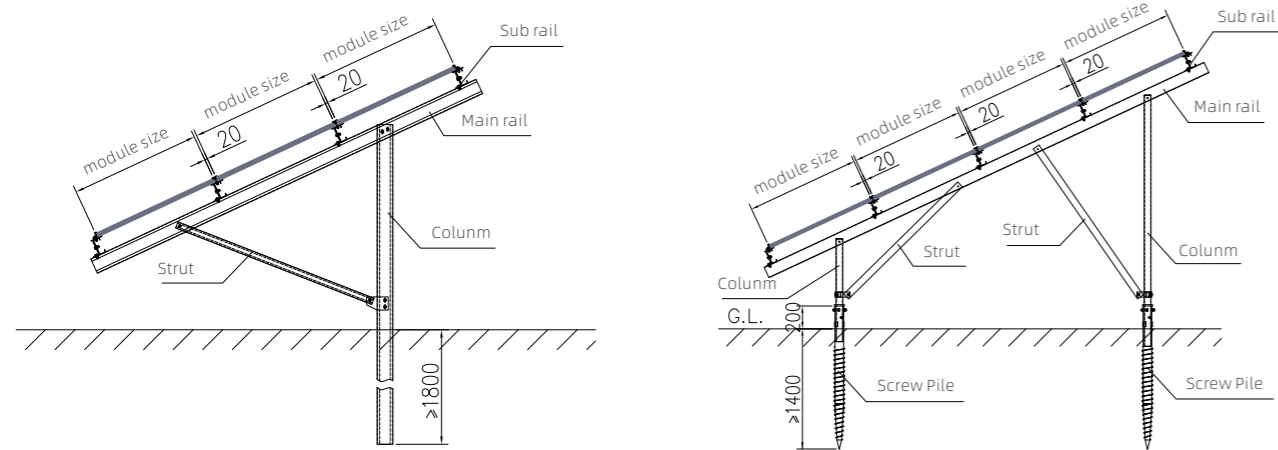
DuraPower Single column all-steel

DuraPower Multiple column all-steel



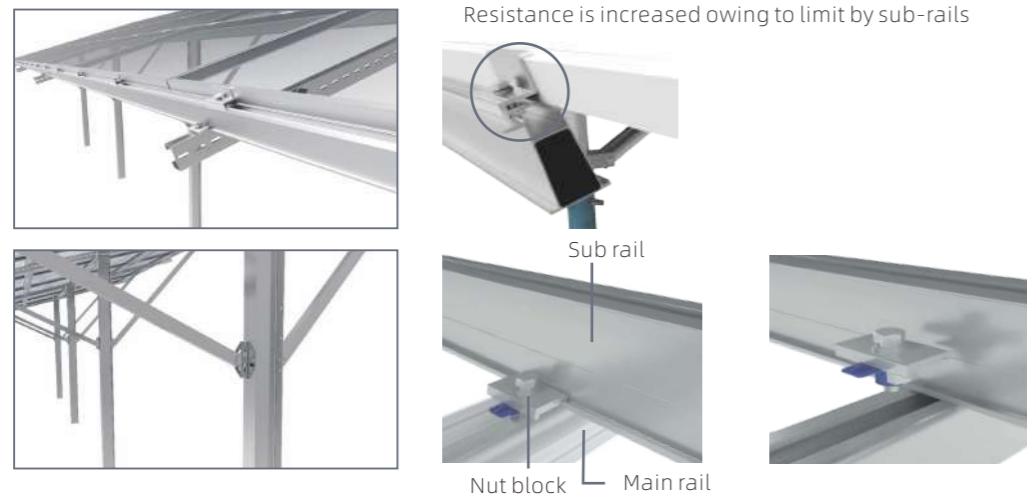
### UniPower/AlumPower Mounting System

Powerway Unipower steel-aluminum series productsThe primary and secondary keels feature aluminum alloy, providing solar power stations with a strong, stable load-bearing structure; meanwhile, the intensity and complexity of system installation is significantly reduced. The column is height-adjustable, hence highly adaptable to various complex terrains.



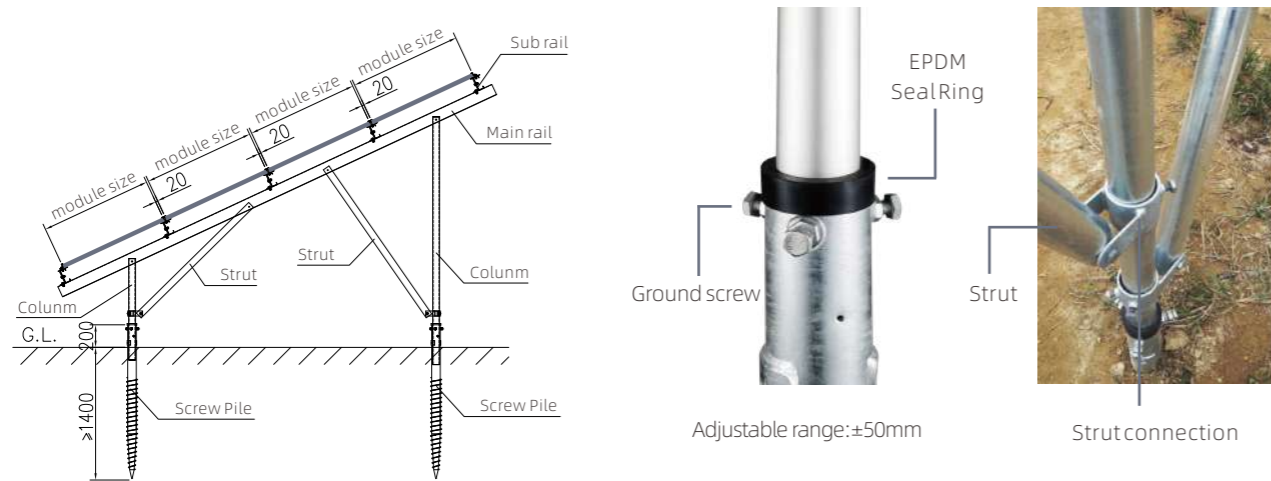
UniPower Single column steel-aluminum

UniPower Multiple column steel-aluminum



Resistance is increased owing to limit by sub-rails

Powerway AlumPower multiple column all-aluminum mounting system is designed using aluminum alloy, giving it an aesthetic and elegant appearance; lightweight materials and a slot keel design make it easy to install. A 15µm anodizing of the surface ensures high anti-corrosive performance; it is height-adjustable, thus flexible for use in various complex terrains; an 80% recycling rate of the aluminum allows the power station to effectively “retain value” .



AlumPower Multiple column all-aluminum

Powerway Renewable Energy Co.,Ltd.(abbreviated as “Powerway”) is one of the word’s leading manufacture and solution providers of solar tracking ,solar mounting and roof solar racking systems with 11 years of manufacturing and service experience. The headquartered is located in Foshan city,China with manufacturing bases in zhaoqing and Tianjin,China.The subsidiary is located in Japan.Powerway also has rich experience in manufacturing and service of large-scale projects in the fields of multifunctional PV mounting system such as Fishery-solar hybrid power station, agro-photovoltaic hybrid power station, and PV carports. In addition,Powerway has won numbers of certifications, such as BV, UL, CE, CPP, IEC, TUV and ISO9001.

So far,The installed capacity of Powerway has reached **10GW**,which over 200 projects in more than 60 countries around world.We have established strategic partnerships with many well-known PV companies, becoming a confident brand in the PV industry.

### Project References



Project Site	Bangladesh
Foundation Type	Screw pile Foundation
Capacity	134 MW
Product type	MACPower
Installation Environment	Corrosion Area
Installation time	2020



Project Site	Philippines
Foundation Type	Screw pile Foundation
Capacity	120 MW
Product type	MACPower
Installation Environment	Windy Environment
Installation time	2020



Project Site	U.S.A
Foundation Type	H-shaped Steel
Capacity	88 MW
Product type	MACPower
Installation Environment	Windy & Coast Area
Installation time	2020



Project Site	Hungary
Foundation Type	Screw pile Foundation
Capacity	109 MW
Product type	DuraPower
Installation Environment	Snow Environment
Installation time	2020



Project Site	Japan
Foundation Type	C-shaped Steel
Capacity	140 MW
Product type	Unipower
Installation Environment	Mountain Terrain
Installation time	2020



Project Site	Vietnam
Foundation Type	Screw pile Foundation
Capacity	250 MW
Product type	DuraPower
Installation Environment	Coastal Gale Environment
Installation time	2019



Project Site	Philippines
Foundation Type	Screw pile Foundation
Capacity	63 MW
Product type	MACPower
Installation Environment	Windy Environment
Installation time	2020



Project Site	Malaysia
Foundation Type	Screw pile Foundation
Capacity	39 MW
Product type	MACPower
Installation Environment	Mountain Terrain
Installation time	2019



Project Site	Malaysia
Foundation Type	Concrete pile foundation
Capacity	48 MW
Product type	MACPower
Installation Environment	Slope Terrain
Installation time	2020



Project Site	China
Foundation Type	Pretressed Concrete Pile
Capacity	60 MW
Product type	Fishery-solar Hybrid Mounting System
Installation Environment	Coastal Gale Environment
Installation time	2019



Project Site	Vietnam
Foundation Type	Concrete pile foundation
Capacity	46 MW
Product type	MACPower
Installation Environment	Windy Environment
Installation time	2020



Project Site	Vietnam
Foundation Type	Screw pile Foundation
Capacity	50 MW
Product type	AlumPower
Installation Environment	Corrosion Area
Installation time	2019



Project Site	Taiwan
Foundation Type	PHC pile
Capacity	40 MW
Product type	DuraPower
Installation Environment	Coastal Gale Environment
Installation time	2020



Project Site	China
Foundation Type	Concrete foundation
Capacity	30 MW
Product type	DuraPower
Installation Environment	Mountain Terrain
Installation time	2014